

M A R I N E

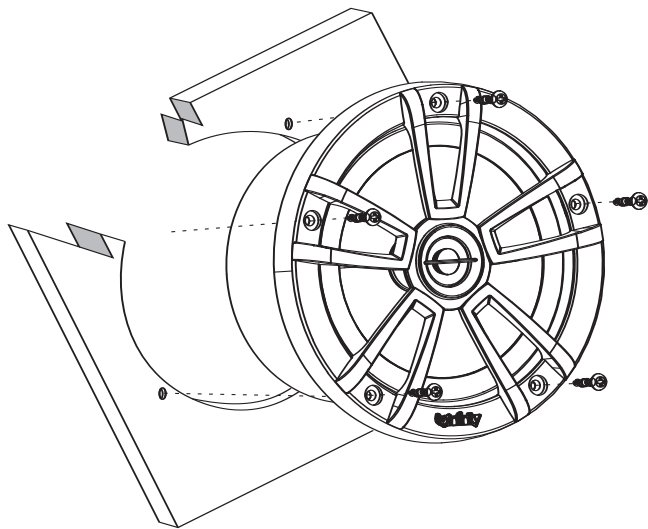
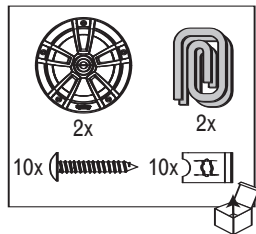
612m

6912m

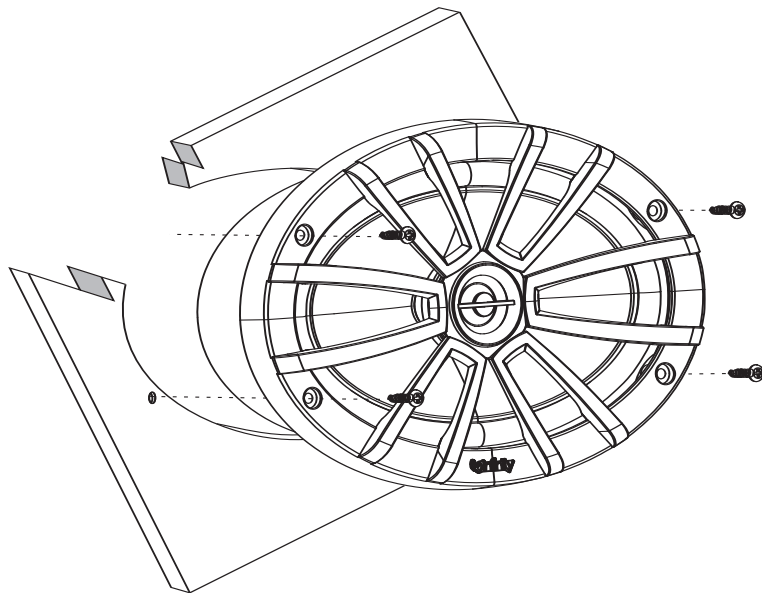
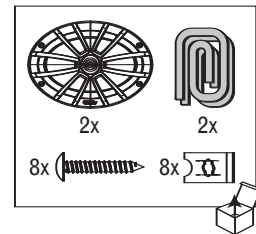


 Infinity®

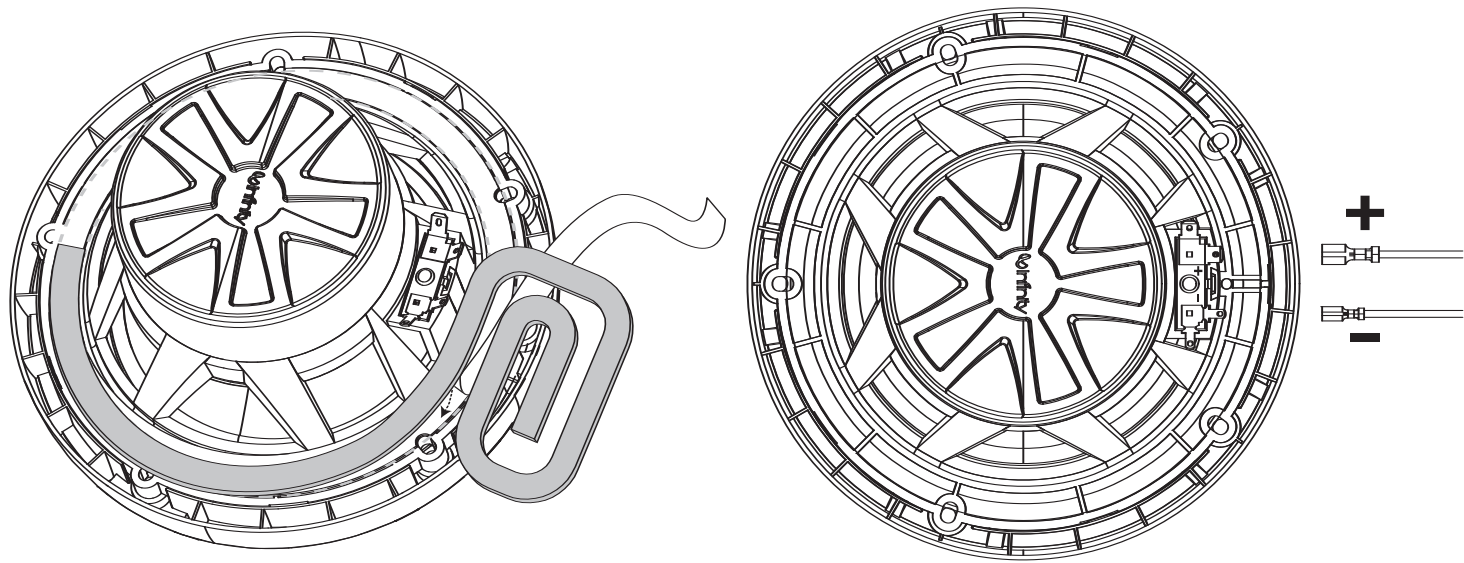
612m



6912m



612m, 6912m



	612m	6912m
BL (T-m)	4.87	6.65
DCR (ohms)	3.14	3.34
Mms (g)	12.84	19.93
Sd (sq cm)	122.7	222.5
Cms ($\mu\text{m}/\text{N}$)	425	453
Vas (l)	9	31.5
Fs (Hz)	68	52.9
Qes	0.73	0.5
Qms	4.13	6.3
Qt	0.62	0.46

SPECIFICATIONS

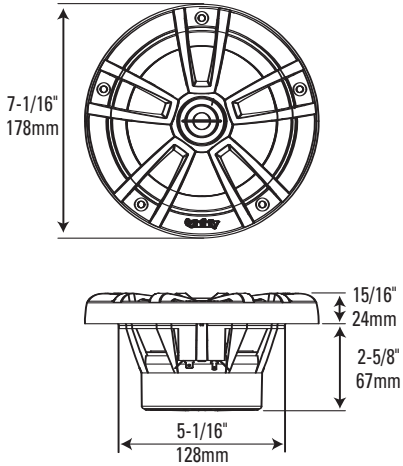
	612m	6912m
Type:	6-1/2" (160mm) 2-Way Marine	6" x 9" 2-Way Marine
Impedance:	4 Ohms	4 Ohms
Power Handling, RMS:	75W	100W
Power Handling, Peak:	225W	300W
Frequency Response:	50Hz – 20kHz	36Hz – 20kHz
Sensitivity (2.83V, 1m):	92dB	96dB

GENERAL CARE: The loudspeaker grilles may be cleaned with a damp cloth. Do not use any cleaners or solvents on the grilles or the speaker cones.

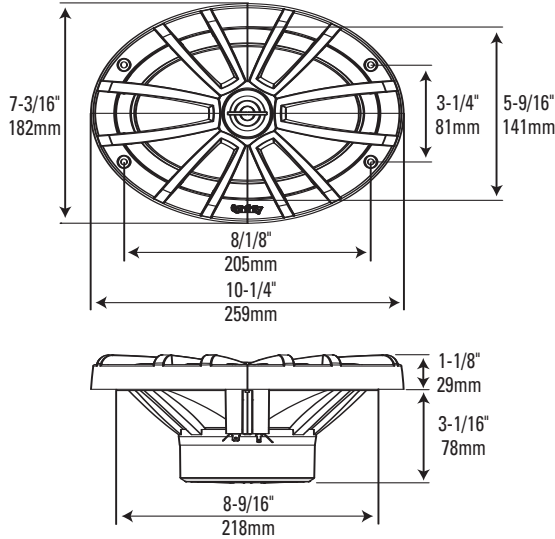
NOTE: These marine products are not intended for automotive applications and are not intended for connection to the mains.

WARRANTY: Infinity® marine speakers are warranted against defects. The duration of the speaker's warranty depends on the laws in the country in which it was purchased. Your local Infinity marine audio retailer can help you determine the length of your warranty. To register your product, please visit www.infinitysystems.com.

612m



6912m



Designed and engineered in the USA.
 A valid serial number is required for warranty coverage.
 Features, specifications and appearance are subject to change without notice.
 Harman Consumer Group, Inc., 250 Crossways Park Drive, Woodbury, NY 11797 USA
www.infinitysystems.com
 © 2008 Harman International Industries, Incorporated. All rights reserved. • Part No. INFMAR8/08
 Infinity is a trademark of Harman International Industries, Incorporated, registered in the United States and/or other countries.
H A Harman International Company



Declaration of Conformity



We, Harman Consumer Group, Inc.
 2, route de Tours
 72500 Château du Loir
 France

declare in own responsibility that the products described in this owner's manual
 are in compliance with technical standards:

EN 61000-6-3:2001
 EN 61000-6-1:2001

Klaus Leberher
 Klaus Leberher
 Harman Consumer Group, Inc.
 Château du Loir, France 8/08

